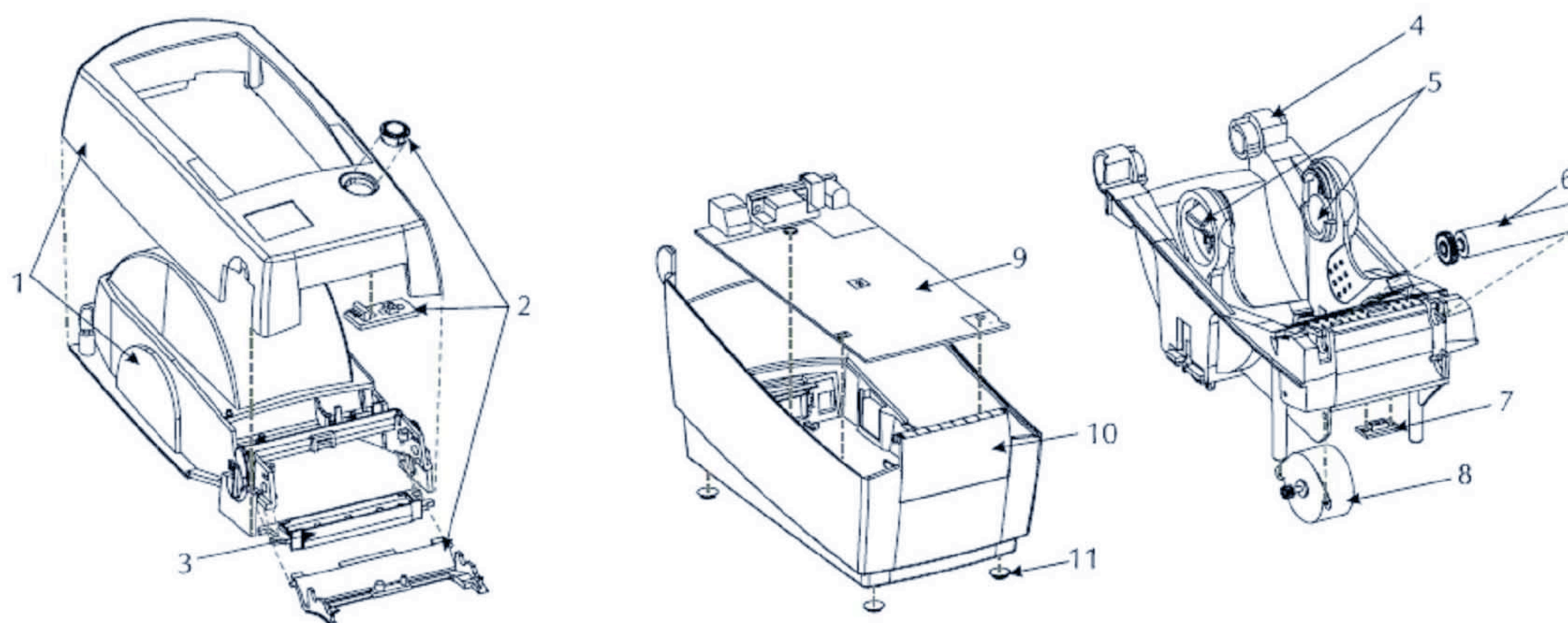


LP 2824 (with serial number 22AXXXXX) Parts Catalog

View 1



Item Number	Description	Part Number	Kit Quantity
1	Housing Cover Assy.	G105910-110	1
2	Feed Switch / Sensor Assy.	G105910-145	1
3	Printhead Assy. (203 dpi)	G105910-102	1
4	Cover Hinge	G105910-179	10
5	Frame Assy. w/o Platen	G105910-112	1
6	Platen Kit, std.	105910-107	1
6	Platen Kit, Liner Free	105910-106	1
7	Gap / Blackline Sensor PCBA	G105910-054	3
7	Head Up Sensor	G105910-072	1
8	Motor, Assy.	G105910-108	1
9	Main Control PCBA, std. Ser./USB	G105910-138	1
9	Main Control PCBA, std. Par.	G105910-139	1
9	Main Control PCBA, std. Ser./Ethernet	G105910-140	1
9	Main Control PCBA, Asian Ser./USB/Cutter	G105910-141	1
9	Main Control PCBA, Asian Par./Cutter	G105910-142	1
9	Main Control PCBA, Asian Ser./Cutter/Ethernet	G105910-143	1
9	Kit, Ethernet IO PCBA with cables	G105910-121	1
9	Kit, PrintServerII Daughter Board	G105910-123	1
9	Real Time Clock / Date I.C.	G105950-026	1
9	Real Time Clock / Date PCBA	G105910-144	1
10	Front Bezel, LP2824	105910-164	3
11	Rubber Foot Kit	105910-007	24

**LP 2824 (with serial number 22AXXXXXX) Parts Catalog**

Item Number	Description	Part Number	Kit Quantity
	Power Supply, 100V-240V (C5) with US & EUR Cords (200dpi)	105950-060	1
	Power Supply, 100V-240V (C5) with UK & EUR Cords (200dpi)	105950-076	1
	Power Cord, U.S. 120V, IEC320C5	105950-061	5
	Power Cord, Euro 220V, IEC320C5	105950-062	5
	Power Cord, U.K. 240V, IEC320C5	105950-063	5
	Power Cord, Australia 240V, IEC320C5	105950-064	5
	Power Cord, China 220V, IEC320C5	105950-065	5
	Power Cord, Argentina 220V, IEC320C5	105950-066	5
	Power Cord, Japan 125V, IEC320C5	105950-077	5
	Dispenser Option	G105910-118	1
	Latch Assembly	105910-178	1
	Cutter Replacement Kit	G105910-119	1
	Shipping Pack	105910-120	1
	CD-ROM, EPL Desktop Printers Software & Documentation	105950-028	1
	CD-ROM, Service Documentation	105950-051	1