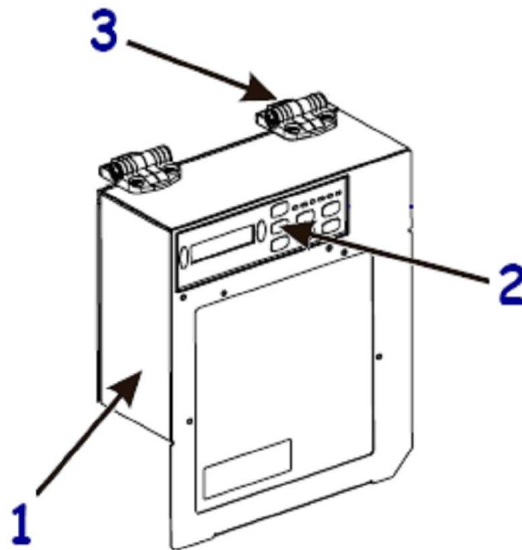


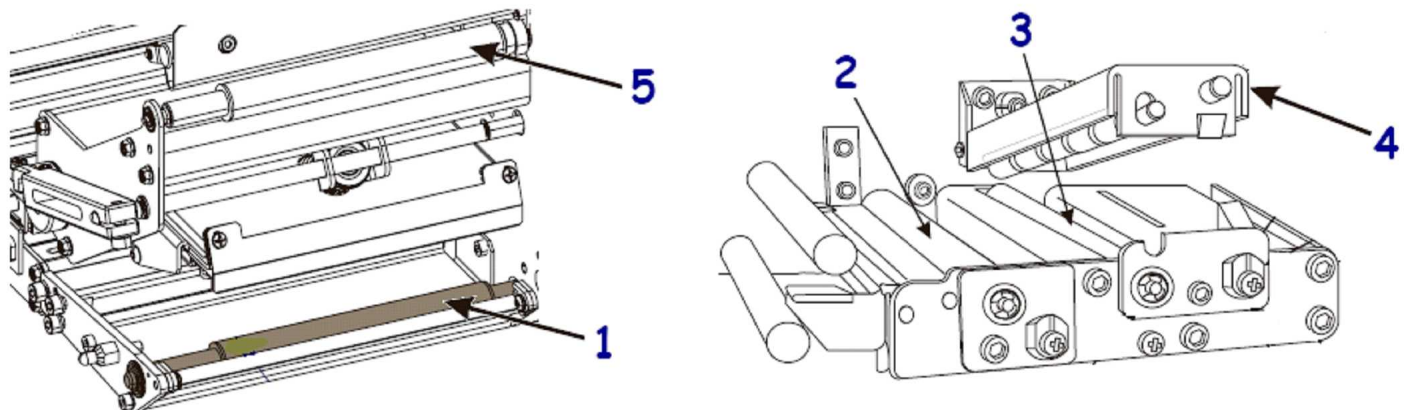
110PAX4 Parts Catalog: Right Hand (RH) and Left Hand (LH) Units

Outer Casing Components



| Item Number | Description | Part Number | Kit Quantity |
|-------------|--|-------------|--------------|
| 1 | Kit Front Cover RH (does not include control panel or door hinges) | G57235M | 1 |
| 1 | Kit Front Cover LH (does not include control panel or door hinges) | G57236M | 1 |
| 2 | Kit Control Panel RH & LH | G49398M | 1 |
| 3 | Kit Door Hinge RH & LH | 49244M | 2 |

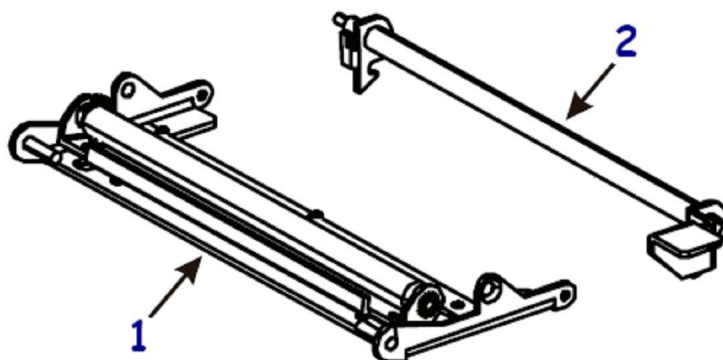
Rollers



| Item Number | Description | Part Number | Kit Quantity |
|-------------|--|-------------|--------------|
| 1 | Kit Platen Roller RH & LH | G43110M | 1 |
| 2 | Kit Peel Roller RH & LH | G57131M | 1 |
| 3 | Kit Elastomer Pinch Roller RH & LH | G57130M | 1 |
| 4 | Kit Upper Pinch Segmented Roller Assembly RH | G43013M | 1 |
| 4 | Kit Upper Pinch Segmented Roller Assembly LH | G43012M | 1 |
| 5 | Kit Auxillary Roller RH & LH | 57167M | 1 |

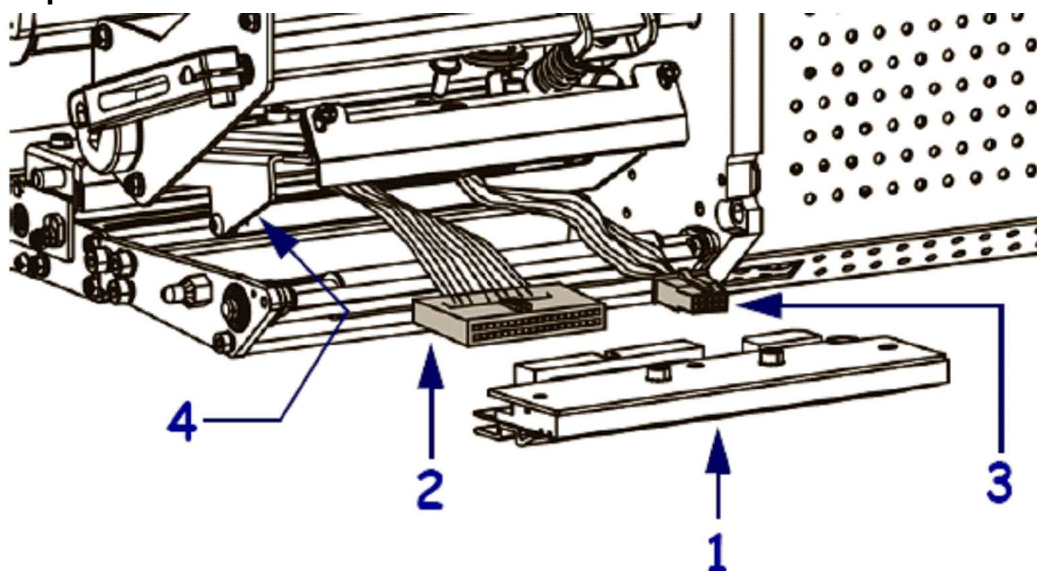
110PAX4 Parts Catalog: Right Hand (RH) and Left Hand (LH) Units

Peel Roller Bracket and Latch



| Item Number | Description | Part Number | Kit Quantity |
|-------------|---|-------------|--------------|
| 1 | Kit Bracket for Peel Roller RH & LH | 43310M | 1 |
| 2 | Latch Assembly for Peel Roller release RH | 43125 | 1 |
| 2 | Latch Assembly for Peel Roller release LH | 43260 | 1 |

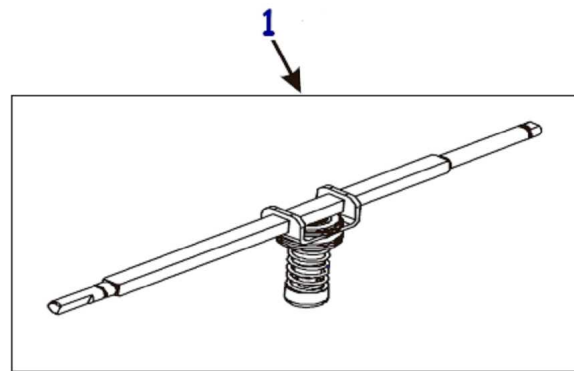
Printhead Components



| Item Number | Description | Part Number | Kit Quantity |
|-------------|---|-------------|--------------|
| 1 | Kit Printhead 203 dpi RH & LH | G57202-1M | 1 |
| 1 | Kit Printhead 300 dpi RH | G57212M | 1 |
| 1 | Kit Printhead 300 dpi LH | G57242M | 1 |
| 2 | Printhead Data Cable RH | 37939 | 1 |
| 2 | Printhead Data Cable LH | 37940 | 1 |
| 3 | Printhead Power Cable RH & LH | 37836 | 1 |
| 4 | Printhead Bracket RH | 57204 | 1 |
| 4 | Printhead Bracket LH | 57232 | 1 |
| | Kit Printhead dpi Conversion 300 dpi to 203 dpi RH & LH | G57600M | 1 |
| | Kit Printhead dpi Conversion 203 dpi to 300 dpi RH | G57601M | 1 |
| | Kit Printhead dpi Conversion 203 dpi to 300 dpi LH | G57602M | 1 |

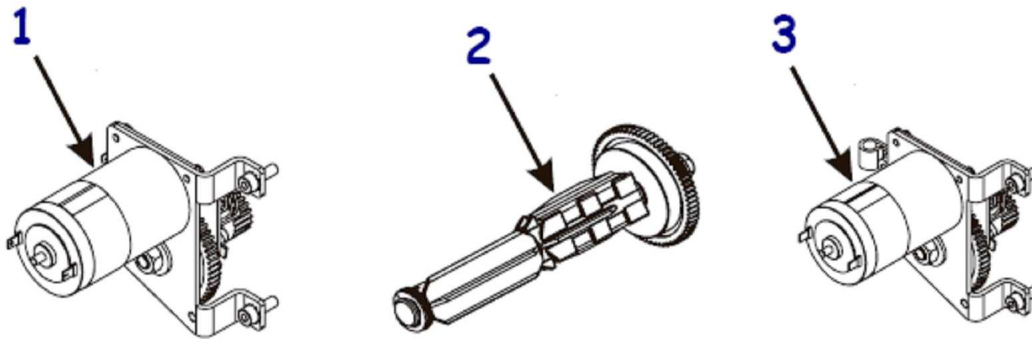
110PAX4 Parts Catalog: Right Hand (RH) and Left Hand (LH) Units

Toggle Assembly



| Item Number | Description | Part Number | Kit Quantity |
|-------------|--------------------------------|-------------|--------------|
| 1 | Kit Pivot Bar & Toggle Assy RH | G57187M | 1 |
| 1 | Kit Pivot Bar & Toggle Assy LH | G57189M | 1 |

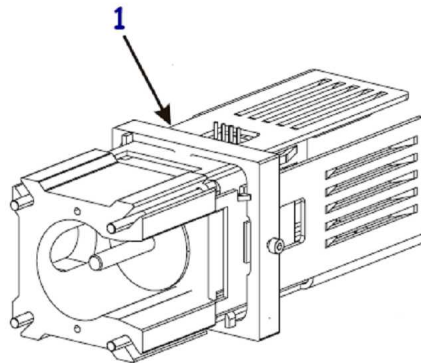
Ribbon Spindles and Motors



| Item Number | Description | Part Number | Kit Quantity |
|-------------|---|-------------|--------------|
| 1 | Kit DC Motor for Ribbon Supply Spindle RH | G57466M | 1 |
| 1 | Kit DC Motor for Ribbon Supply Spindle LH | G57468M | 1 |
| 2 | Kit Ribbon Supply Spindle or Ribbon Take-Up Spindle RH & LH | G43059M | 1 |
| 3 | Kit DC Motor for Ribbon Take-Up Spindle RH | G57467M | 1 |
| 3 | Kit DC Motor for Ribbon Take-Up Spindle LH | G57469M | 1 |

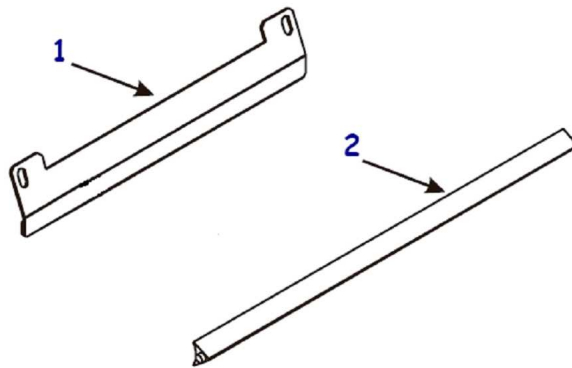
110PAX4 Parts Catalog: Right Hand (RH) and Left Hand (LH) Units

Drive System Components



| Item Number | Description | Part Number | Kit Quantity |
|-------------|---|-------------|--------------|
| 1 | Kit Stepper Motor 203 & 300 dpi RH & LH (does not include pulley) | G57527M | 1 |
| | Kit Pulley for Stepper Motor 203 dpi RH & LH | G57604M | 1 |
| | Kit Pulley for Stepper Motor 300 dpi RH & LH | G57464M | 1 |
| | Kit Platen Roller Pulley 203 & 300 dpi RH & LH | 57299M | 1 |
| | Kit Compound Pulley 203 & 300 dpi RH & LH | G57069M | 1 |
| | Kit Drive Belts 203 & 300 dpi RH & LH (for replacing all 4 drive belts) | 57603M | 1 |

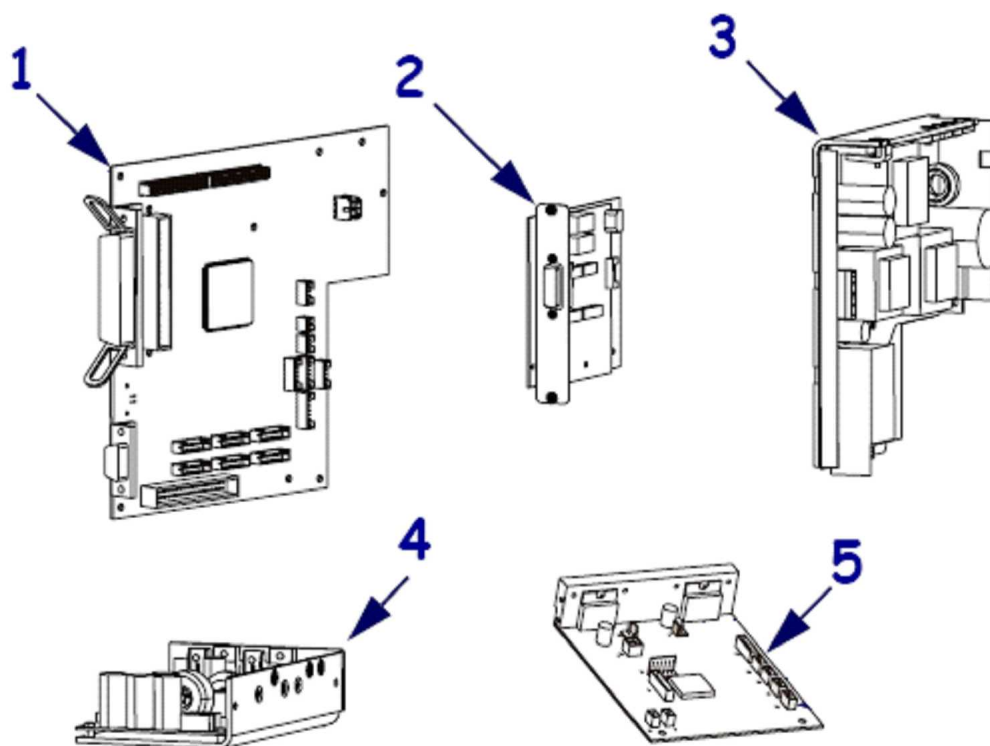
Ribbon Strip Plate - Peel Bar



| Item Number | Description | Part Number | Kit Quantity |
|-------------|----------------------------|-------------|--------------|
| 1 | Ribbon Strip Plate RH & LH | 43049 | 1 |
| 2 | Peel Bar RH & LH | 43114 | 1 |

110PAX4 Parts Catalog: Right Hand (RH) and Left Hand (LH) Units

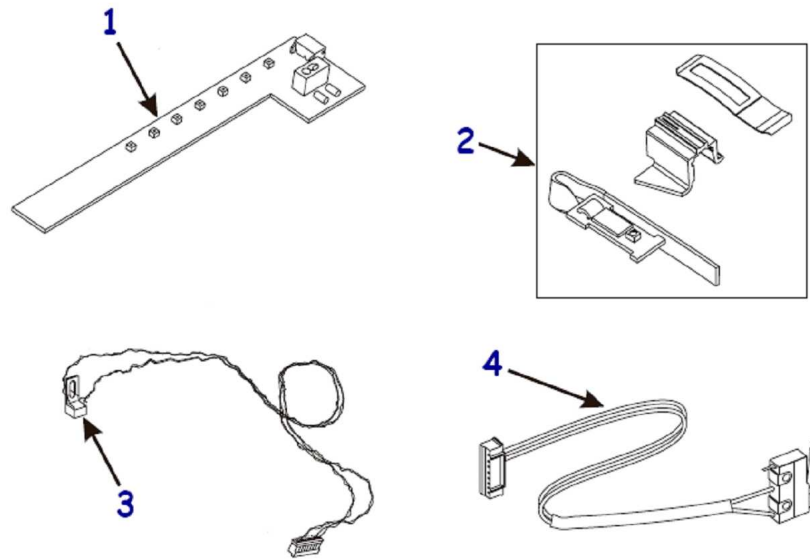
Electronic Components



| Item Number | Description | Part Number | Kit Quantity |
|-------------|---|-------------|--------------|
| 1 | Kit Main Logic Board (MLB) 4MB RH & LH | 34901-040M | 1 |
| 1 | Kit Main Logic Board (MLB) 64MB RH & LH | 34901-042M | 1 |
| 2 | Kit Applicator Interface 24V I/O RH & LH | G57389M | 1 |
| 2 | Kit Applicator Interface 5V I/O RH & LH | G57056M | 1 |
| 3 | Kit AC Power Supply RH & LH | 57630M | 1 |
| 4 | Kit DC Power Supply RH | G43238M | 1 |
| 4 | Kit DC Power Supply LH | G43240M | 1 |
| 5 | Kit Motor Control Board RH & LH | G43210M | 1 |
| | Kit PCMCIA Board RH & LH | G57350M | 1 |
| | Kit Internal Wireless Plus 802.11 b/g Radio. Includes Magnetic Mount for Antenna. For use in the U.S., Canada, EU, Australia, New Zealand | 29652-004M | 1 |
| | Kit Antenna Replacement for the Internal Wireless Plus Radio | 39538M | 1 |
| | Kit Magnetic Mount Replacement (Antenna not included) | 39518M | 1 |
| | Kit Wireless Plus Board. In order to achieve wireless function, a separate radio card must be purchased (not included). | 29651-004M | 1 |
| | Kit Internal Print Server 10/100 RH & LH | G57546 | 1 |
| | Kit External Print Server 10/100 RH & LH | G47490 | 1 |

110PAX4 Parts Catalog: Right Hand (RH) and Left Hand (LH) Units

Sensors



| Item Number | Description | Part Number | Kit Quantity |
|-------------|------------------------------|-------------|--------------|
| 1 | Kit Lower Media Sensor RH | G43212M | 1 |
| 1 | Kit Lower Media Sensor LH | G43250M | 1 |
| 2 | Kit Upper Media Sensor RH | G43214M | 1 |
| 2 | Kit Upper Media Sensor LH | G43084M | 1 |
| 3 | Kit Ribbon Sensor RH | 59000M | 1 |
| 3 | Kit Ribbon Sensor LH | G43467M | 1 |
| 4 | Kit Door Open Switch RH & LH | G57339M | 1 |
| | Printhead Open Sensor | 37920 | 1 |

Packing Material for Printer Shipping

| Item Number | Description | Part Number | Kit Quantity |
|-------------|----------------------|-------------|--------------|
| | Kit Packing Material | G57533PM | 1 |



110PAX4 Parts Catalog: Right Hand (RH) and Left Hand (LH) Units

Hardware

| Item Number | Description | Part Number | Kit Quantity |
|-------------|---|-------------|--------------|
| | Cable Ties 3.62 inches in length (qty of 20) | HWQ06020 | 20 |
| | Screw M5X0.8X12 Pan PH ZN QTY 25 | HW43971 | 25 |
| | Lock Washer External #6 (Bag of 100) | HW45946 | 100 |
| | Split Washer M5 | HW32410 | 10 |
| | Washer Flt .375 x .156 x .065. Qty of 100 | HW33822 | 100 |
| | Screw 2-56 X .187 Fl Ph Zn 25 CNT | HW43975 | 25 |
| | Nut Hex M3, Qty of 25 | HW10460 | 25 |
| | Flat Washer .250 x .125 x .028, Qty of 100 | HW43893 | 100 |
| | Screw M4 x 0.7 x 12, Qty of 25 | HW10432 | 25 |
| | Screw M3 x 0.6 x 20, Qty of 25 | HW49152 | 25 |
| | Crescent Ring Ext .250 Yel, Qty of 100 | HW33810 | 100 |
| | Bearing Nylon .312 .251 .078 Qty of 25 | HW30105 | 25 |
| | E-Ring Ext .125, Qty of 100 | HW45947 | 100 |
| | Screw M3 x 0.5 x 6, Qty of 50 | HW78805 | 50 |
| | Rivet Snap .138 x .08, Qty of 10 | HW48182 | 10 |
| | Ring E Ext .312 Yel, Qty of 25 | HW06250 | 25 |
| | Screw 6-32 x .37 Bu So H Bo, Qty of 25 | HW30402-006 | 25 |
| | Screw M3 x .5 x 6, Qty of 50 | HW78804 | 50 |
| | Ring Ext Ret, Qty of 25 | HW49228 | 25 |
| | Wave Washer Adj Hub, Qty of 5 | HW49227 | 5 |
| | Head Open Flag, Qty of 50 | HW46352 | 50 |
| | Screw M3 x 0.5 x 8mm, Qty of 25 | HW44924 | 25 |
| | Washer Split M4, Qty of 25 | HW45931 | 25 |
| | Set Screw Cup M3 x 0.5 x 4, Qty of 25 | HW44147 | 25 |
| | Ring E Ext .094, Qty of 25 | HW07309 | 25 |
| | Screw M3 x .5 x 4, Qty of 50 | HW78803 | 50 |
| | Screw M3 x 0.5 x 18, Qty of 10 | HW10412 | 10 |
| | Washer Flat M3, Qty of 50 | HW10470 | 50 |
| | Washer Split M3, Qty of 50 | HW10471 | 50 |
| | Screw M4 x 0.7 x 10, Qty of 25 | HW10856 | 25 |
| | Washer Flt .500 x .191 x .030 Qty of 25 | HW33805 | 25 |
| | Spring Compression .07 x .12 x .31, Qty of 25 | HW46166 | 25 |
| | Ring E Ext .140 x .025, Qty of 25 | HW30485 | 25 |
| | Washer .32 x .119 x .062 Neo Bl, Qty of 25 | HW30494 | 25 |
| | Cvd Washer .344 x .172 x .006, Qty of 25 | HW40194 | 25 |
| | Screw M3.5 x 0.5 x 11, Qty of 25 | HW44001 | 25 |
| | Nut Hex M5 X .8 X 2.6, Qty of 25 | HW44055 | 25 |
| | Washer Flat Nylon, Qty of 25 | HW46128 | 25 |
| | Screw M4x0.7 20 Qty of 10 | HW43976 | 10 |
| | Screw M3 x 0.5 x 14, Qty of 10 | HW49185 | 10 |
| | Washer Adj Hub, Qty of 5 | HW49223 | 5 |
| | Washer .381 x .126 x .042, Qty of 25 | HW45950 | 25 |