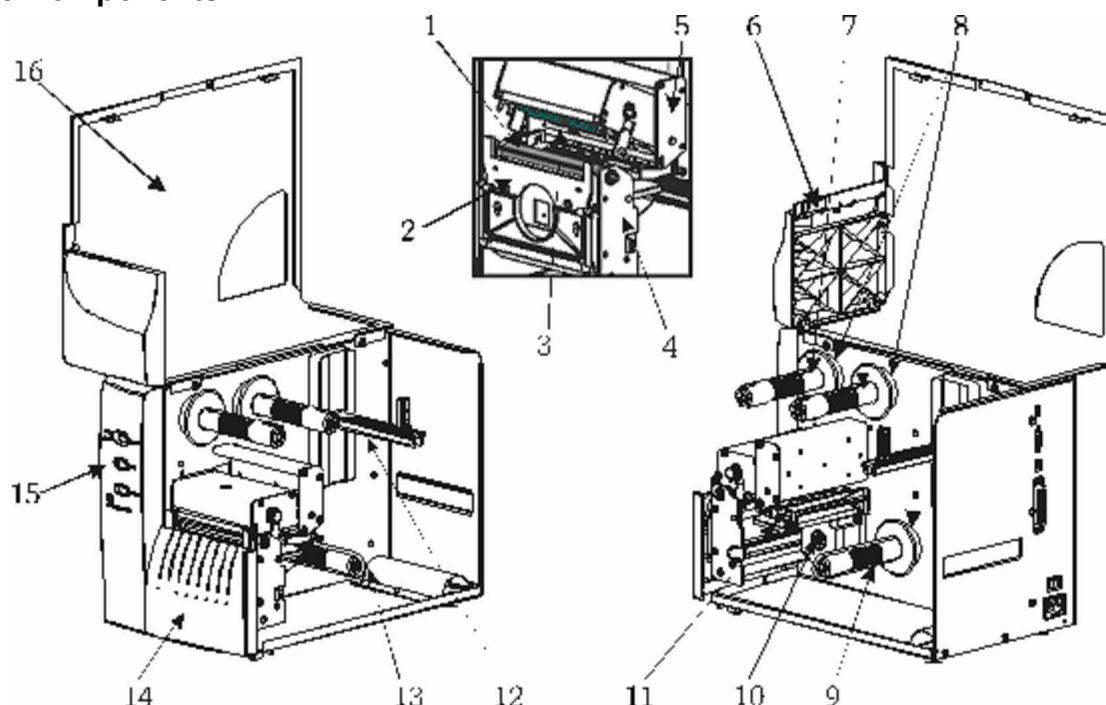


2746e Parts Catalog

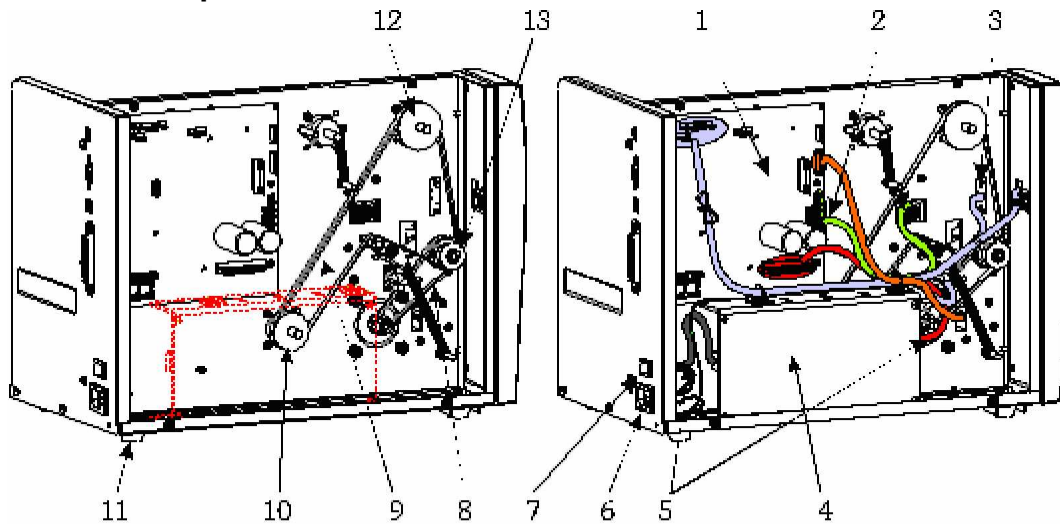
Media Side Components



Item Number	Description	Part Number	Kit Quantity
1	Platen Roller Replacement	105902-054	1
1	Platen Ball Bearing (flanged type) (set of 4)	105902-053	4
2	Peel Mechanism	G105902-180	1
3	Printhead 2746e 203 dpi	G105902-190	1
4	Lower Print Mechanism	G105902-181	1
5	Print Head Carriage Assy. without Print Head	G105902-201	1
6	Label Taken Sensor PCBA (set of 3)	G105902-148	3
7	Ribbon Tube Assy.	G105902-095	1
8	Shaft Support Housing (set of 10)	105902-096	10
9	Rewind Tube Assy.	G105902-109	1
10	Motor Assy.	G105902-137	1
11	Label Guide Assy.	G105902-149	1
11	Label Guide Slider & Pin (set of 10)	105902-153	10
11	Gap / Blackline Sensor PCBA	G105902-145	1
11	Gap Detector Sensor PCBA	G105902-146	1
12	Label Roll Support Assy 1	G105902-050	1
13	Rewind Clip (set of 5)	105902-154	5
14	Lower Front Cover, Removable (set of 5)	G105902-195	5
15	Control Panel 2746e	G105902-202	1
16	Exterior Cover with Upper Front Cover	G105902-193	1

2746e Parts Catalog

Electronics & Drive Components



Item Number	Description	Part Number	Kit Quantity
1	Main Logic Board, Std. (Par./Serial/USB)	G105902-197	1
1	Main Logic Board, Std. (Serial/Ethernet)	G105902-198	1
1	Main Logic Board, Asian (Par./Serial/USB)	G105902-199	1
1	Main Logic Board, Asian (Serial/Ethernet)	G105902-200	1
2	Print Head Ribbon Cable Assy. (set of 10)	105902-136	10
3	Head Up Sensor (set of 5)	G105902-155	5
4	Power Supply Assy., Auto-Ranging	G105902-139	1
4	Power Cord, U.S. 120V IEC320C13 (set of 5)	105950-014	5
4	Power Cord, Euro 220V IEC320C13 (set of 5)	105950-015	5
4	Power Cord, Australia 240V IEC320C13 (set of 5)	105950-029	5
4	Power Cord, U.K. 240V IEC320C13 (set of 5)	105950-030	5
4	Fuse, 5A, 250V (set of 10)	G105902-009	10
5	Power Supply Wire Harness Kit	G105902-138	1
6	A.C. Inlet	105902-203	1
7	A.C. Power Switch	G105902-140	1
8	Platen Drive Belt, 120 tooth (set of 10)	105902-045	10
9	Ribbon Drive Belt, 324 tooth (set of 5)	105902-043	5
10	Pulley, 48-Tooth (set of 5)	105902-046	5
11	Rubber Foot (set of 20)	105902-047	20
12	Pulley, 60-Tooth (set of 5)	105902-042	5
13	Pulley Clutch Assy.	105902-083	1

Packing Materials for Printer Shipping

Item Number	Description	Part Number	Kit Quantity
	Shipping Pack 2746e	105902-184	1

Cutter Maintenance

Item Number	Description	Part Number	Kit Quantity
	Cutter Replacement Kit	G105902-187	1

**2746e Parts Catalog****CD-ROMs**

Item Number	Description	Part Number	Kit Quantity
	CD-ROM, Benchtop Printers Software & Documentation	105950-042	1
	CD-ROM, Service Documentation	105950-051	1

Tools

Item Number	Description	Part Number	Kit Quantity
	Torque Tube Tool Kit (non discountable)	105902-060	1