



## HC100 Wristband Printer - Spare Parts List

### Master Assembly Drawing

All information provided in **Table 1** corresponds to the numbers shown in **Figure 1**. For example, arrow 10 in the drawing is identifying the outer cover of the unit. According to Table 1, Item 10 is part 61343M - Outer Enclosure and Trim.

### Master Assembly Kits

Table 1		
Item	Kit Part Number	Assembly Name
1	61340M	Upper Print Mechanism Cover
2	61330M	Print Head
3	61331M	Platen Roller
4	61341M	Print Mechanism Chassis
5	61342M	Main Frame
6	61338M	ZebraNet 10/100 Internal Print Server
7	61337M	Wireless Plus Internal Print Server
8	61335M	Main Logic Board, 8 MB
	61336M	Main Logic Board, 64 MB
9	61339M	Smart Card Reader
10	61343M	Outer Enclosure and Trim
11	61332M	Cleaning Card (not shown)
12	P1007957	Packing Detail Kit (not shown)

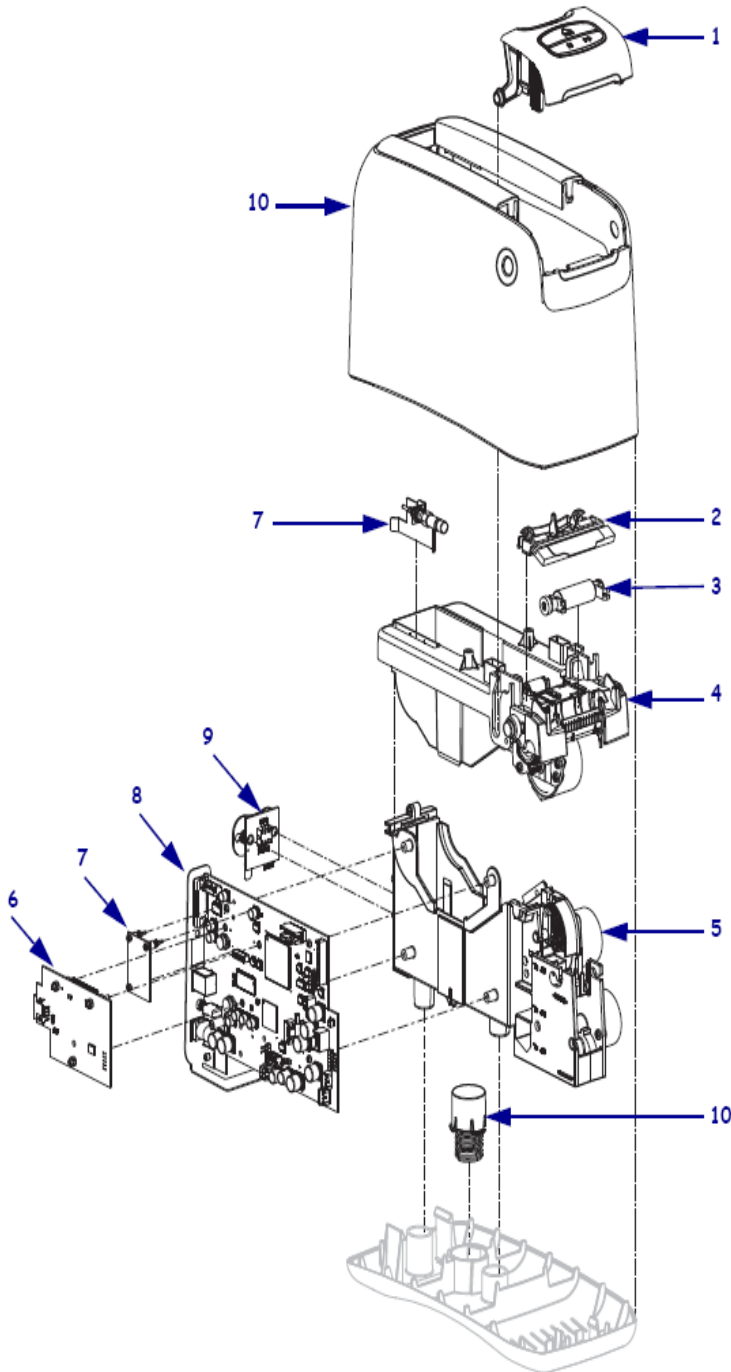
- **Important** – The printer base is not included in any kit, therefore it appears in gray in Figure 1





# HC100 Wristband Printer - Spare Parts List

Figure 1 • Master Assembly Drawing



**Zebra Technologies Corporation**

333 Corporate Woods Parkway » Vernon Hills, IL 60061-3109 USA T+1 847 634 6700 F+1 847 913 8766 [www.zebra.com](http://www.zebra.com)

