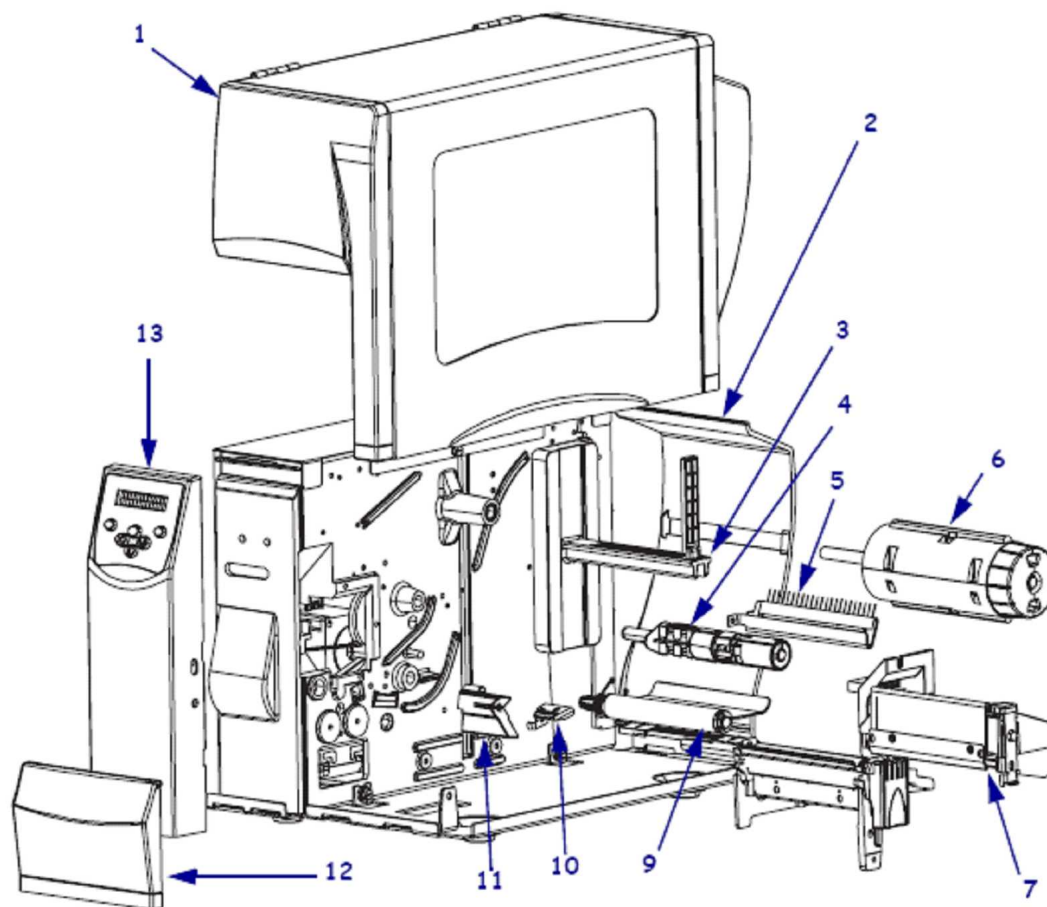


S4M Parts Catalog

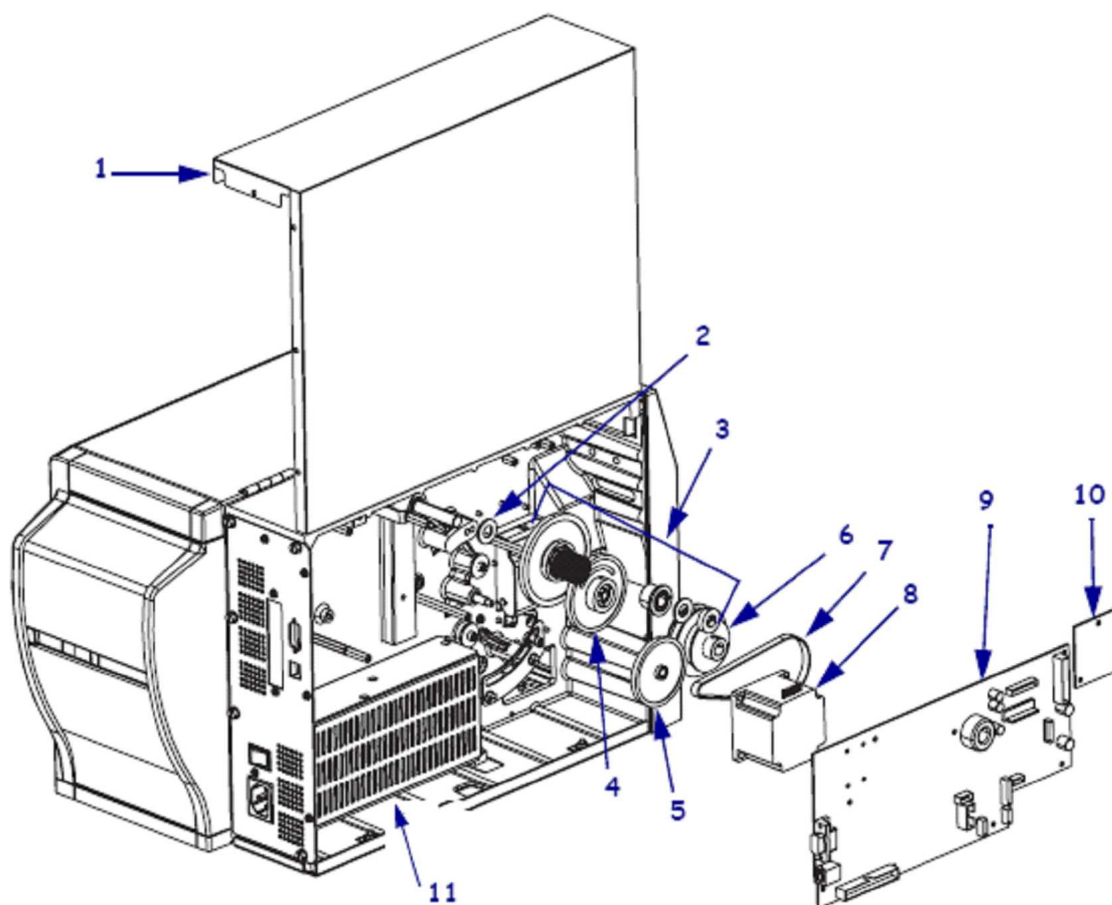
Media Side Assemblies



Item Number	Description	Part Number	Kit Quantity
1	Media Door, S4M	G20070M	1
2	Rear Lower Cover	20053	1
3	Media Hanger Assy. Kit S4M	G20069M	1
4	Ribbon Supply Spindle Assy. Kit, S4M	G77085M	1
5	Static Brush Assy Kit, Z4M+ & S4M	G77302M	1
6	Ribbon Take-Up Spindle Assy. Kit, S4M	20004M	1
7	203 dpi Entire Print Mechanism Kit	G20067-104M	1
7	300 dpi Entire Print Mechanism Kit	G20067-106M	1
9	Kit Maint Dancer, Z4M & S4M	77238M	1
10	Ribbon/Head-Open Sensor Assy. Kit	G77767M	1
11	Kit Maint. Media Sensor (Transmissive)	G77752M	1
12	Peel Option Lower Front Cover	20039	1
12	Tear Option Lower Front Cover	20038	1
13	Control Panel includes membrane	G20060M	1

S4M Parts Catalog

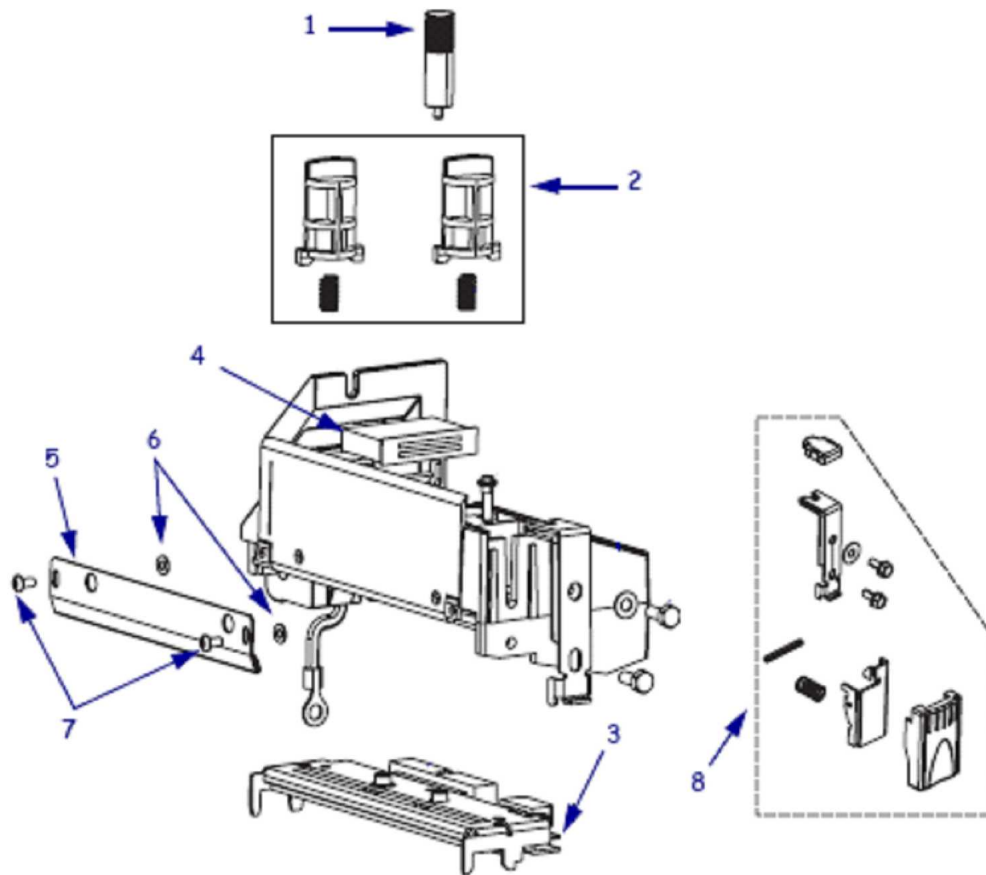
Drive & Electronic Components



Item Number	Description	Part Number	Kit Quantity
1	Electronics Cover S4M	G20071M	1
2	Washer .379 X 0.53 X 0.056 Qty of 25	HW78812	25
3	Ribbon Spindle Take-Up Clutch Kit	G20001M	1
4	Compound Gear included in drive system kit 20002M	20002M	1
5	Intermediate Gear included in drive system kit 20002M	20002M	1
6	Compound Pulley included in drive system kit 20002M	20002M	1
7	Drive Belt 203 Dpi 139T	20006	1
7	Drive Belt 300 Dpi 128T	20005	1
8	Stepper Motor Assy. With Gear	20008M	1
9	Main Logic Board 4MB	28322-001M	1
9	Main Logic Board 64MB	28322-002M	1
10	Power enhanced board	G28420-001M	1
11	Power Supply Maint. Kit	G29600M	1
	Kit Internal Wireless Plus 802.11 b/g Radio. For use in the U.S., Canada, EU, Australia, New Zealand	29883-001M	1
	Kit Antenna Replacement for the Internal Wireless Plus Radio	39538M	1
	IPv4 10/100 Internal Printserver Option Kit IPv4	G20063M	1
	Parallel Port S4M	G20037M	1
	Kit Wireless Plus Board. In order to achieve wireless function, a separate radio card must be purchased (not included).	29882-001M	1
	IPv6 Internal Print Server IPv6	P1000221	1

S4M Parts Catalog

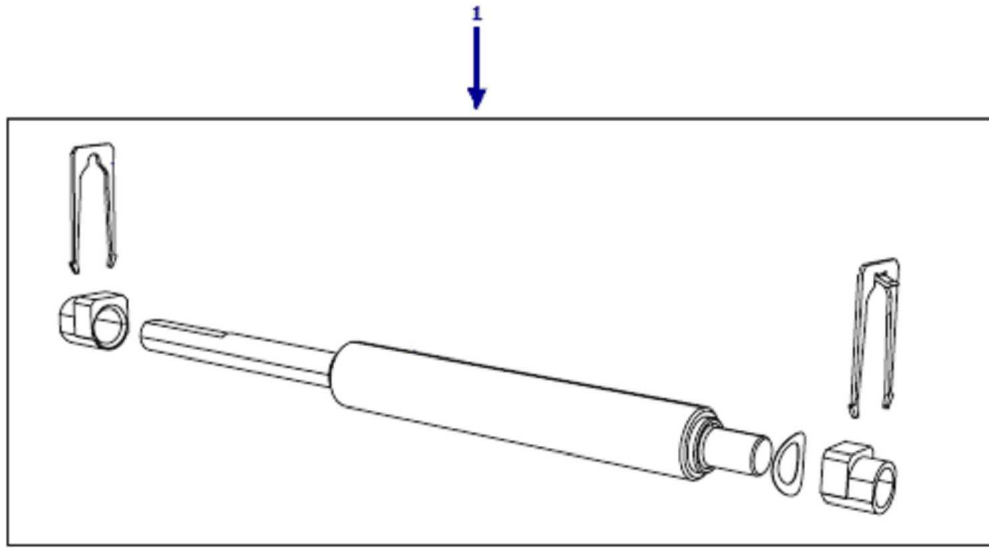
Print Mechanism Components



Item Number	Description	Part Number	Kit Quantity
1	Screw, Printhead Mounting, QTY OF 5	HW77047	5
2	Pressure Dials and Springs	G77172M	2
3	203 dpi Printhead S4M	G41400M	1
3	300 dpi Printhead S4M	G41401M	1
4	Magnetic Latch	77660	1
5	Ribbon Strip Plate	77049-104	1
6	Washer 0.250 X 0.125 X 0.023 (Qty of 25)	HW79041	25
7	Screw M3 X 0.5 X 6 (Qty of 25)	HW78809	25
8	Kit Maint Print Mech Latch ZxM+ & S4M	G77112M	1

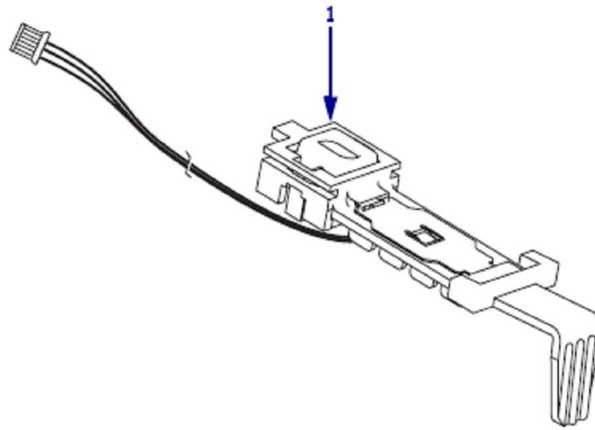
S4M Parts Catalog

Platen Roller



Item Number	Description	Part Number	Kit Quantity
1	Platen Roller Kit, S4M	G77023M	1

Reflective Media Sensor



Item Number	Description	Part Number	Kit Quantity
1	Reflective Media Sensor Assy S4M & Z4M+	G77807M	1

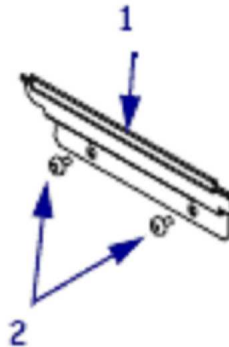
S4M Parts Catalog

Media Guide



Item Number	Description	Part Number	Kit Quantity
1	Media Guide	G20043M	1

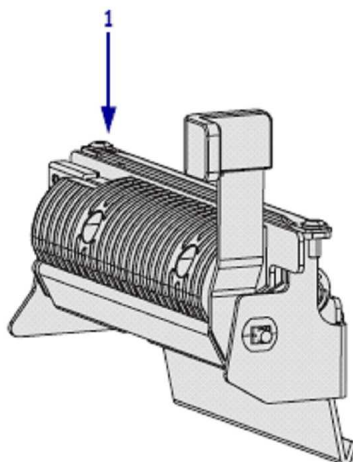
Tear/Peel Bar



Item Number	Description	Part Number	Kit Quantity
1	Kit Maint Peel Tear Bar, Z4M+ & S4M	77625M	1
2	Screw M3 X 8mm (Qty of 25)	HW77231	25

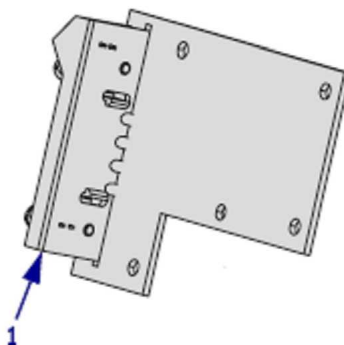
S4M Parts Catalog

Peel Option



Item Number	Description	Part Number	Kit Quantity
1	Kit Peel Unit Option (includes take label sensor)	G20046	1
	Peel Unit Only (Take Label Sensor not included)	G78002M	1
	Kit Maint Peel Unit Pinch Roller, S4M	77197M	1

Take Label Sensor



Item Number	Description	Part Number	Kit Quantity
1	Take Label Sensor Kit	20065M	1

Packing Materials for Shipping Printer

Item Number	Description	Part Number	Kit Quantity
	S4M Packing Detail for shipping printer	20010PM	1