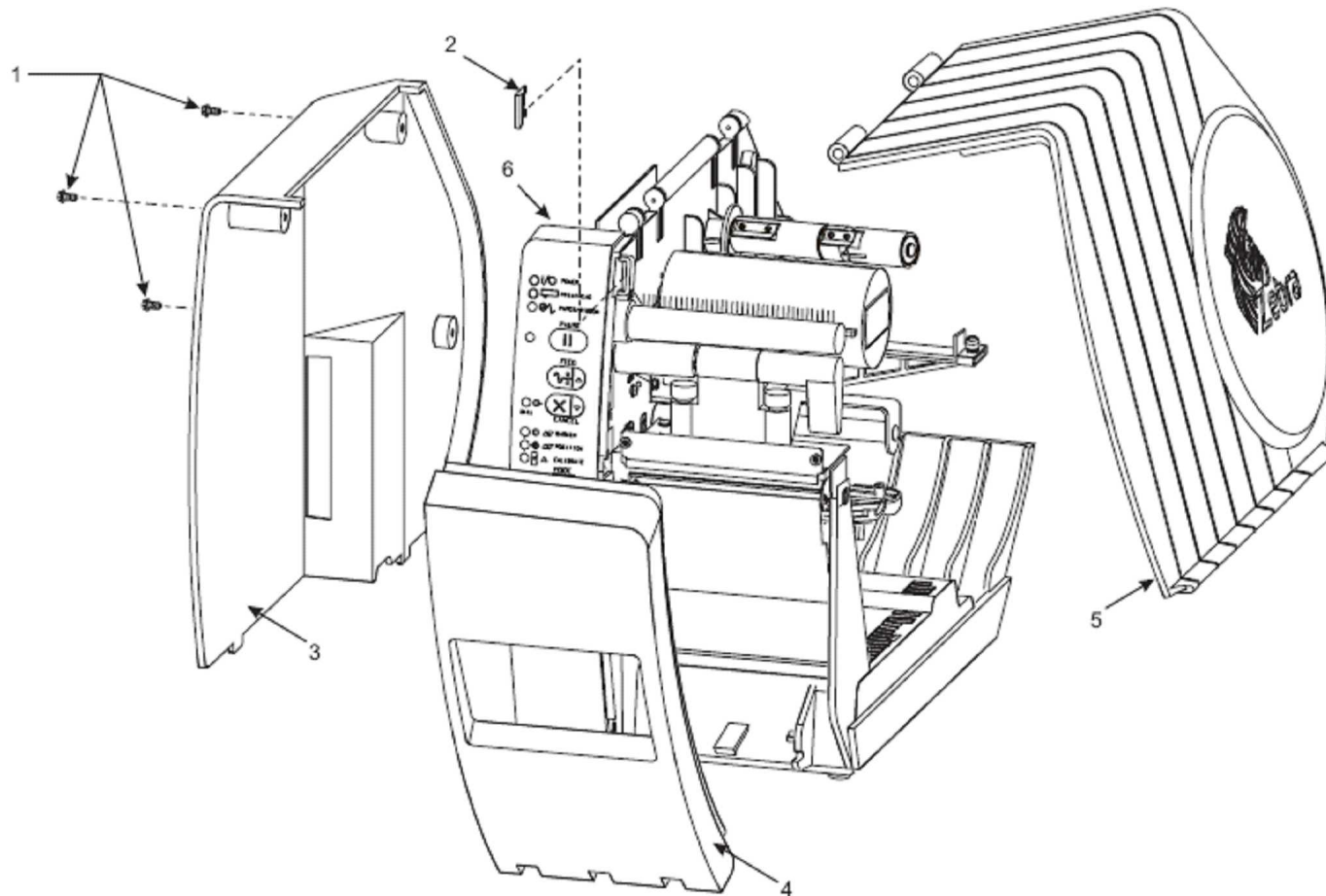


S600 Parts Catalog

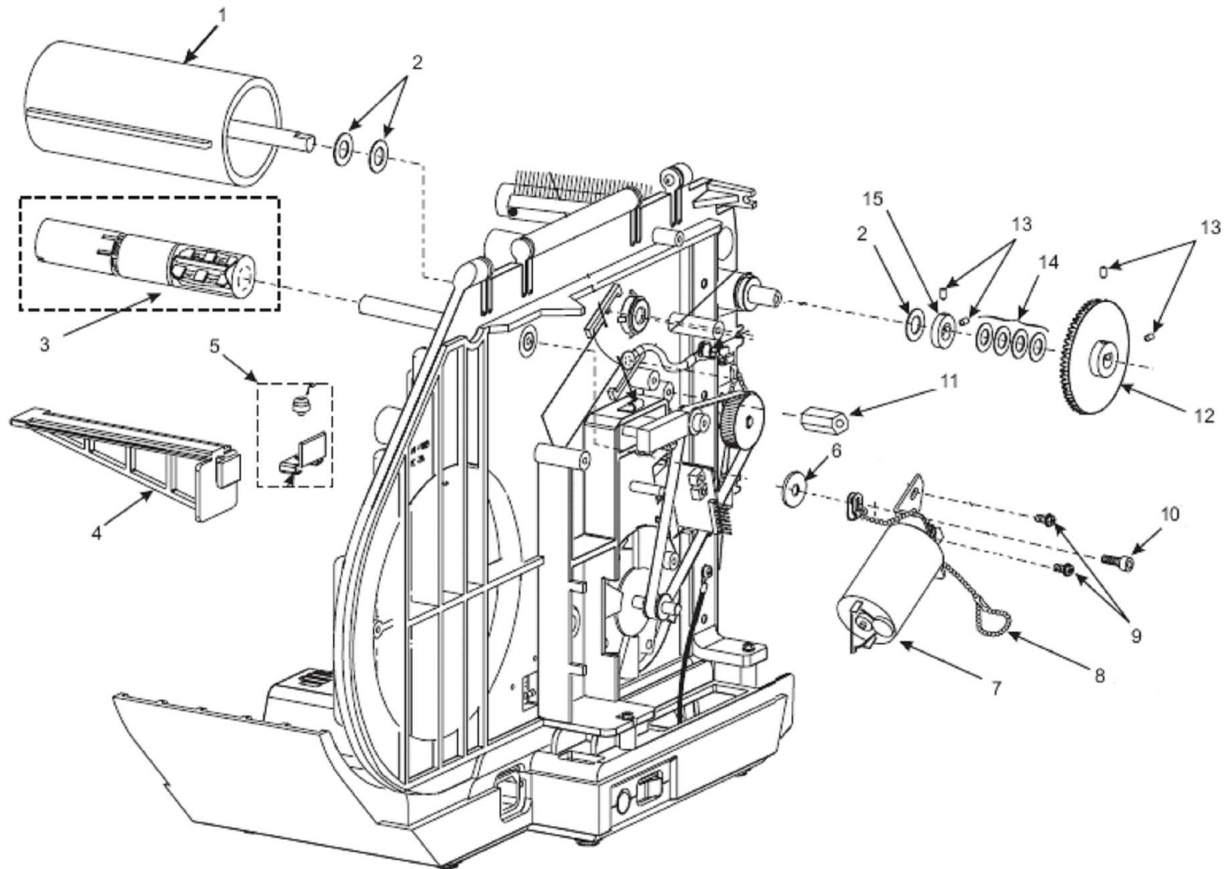
Outer Casing Components



Item Number	Description	Part Number	Kit Quantity
1	Screw HI-LO Short Plastic Cutting or Self Threading, Qty of 50	HW44114	50
2	Kit Front Door Retention Clip	44185M	1
3	Electronic Cover	44075-1	1
4	Front Door w/Zebra Logo S600	44076-4	1
5	Media Door Quick Release	44070-4	1
5	Media Door Standard	44070-3	1
6	Kit Control Panel S600	G44071-400M	1

S600 Parts Catalog

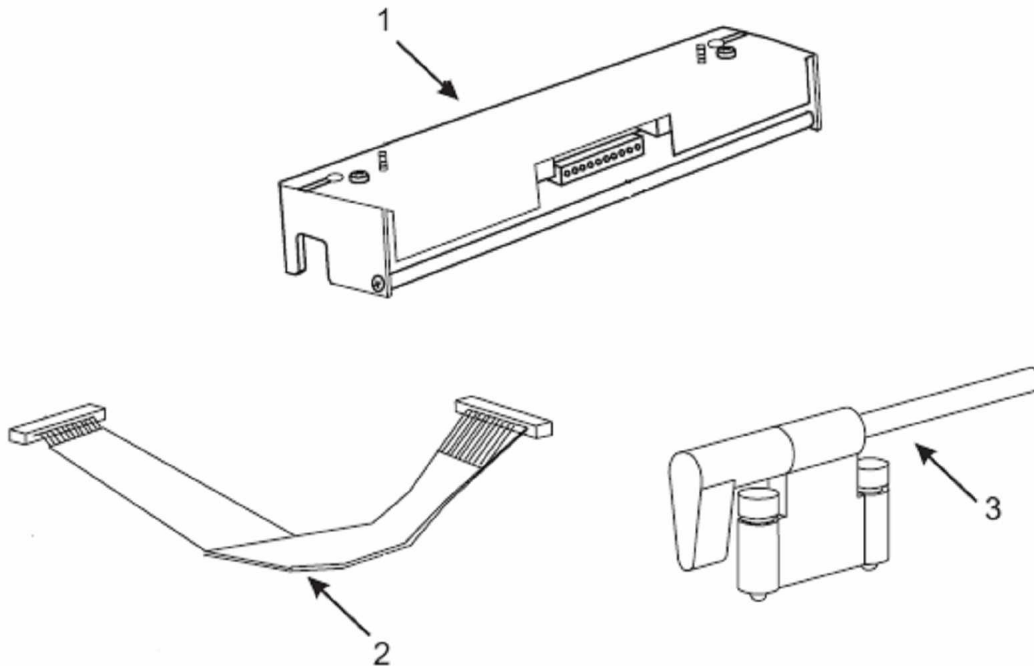
Ribbon System - Media Hanger



Item Number	Description	Part Number	Kit Quantity
1	Kit Ribbon Take-Up Spindle Non Peel-Off	44052-400M	1
1	Kit Ribbon Take-Up Spindle Tear	44052-400M	1
2	Washer, RTU, Qty of 25	HW45972	25
3	Kit Dual Tension Ribbon Supply Spindle	G44912-400M	1
4	Media Hanger	44069	1
5	Kit Media Edge Guide S600	G44066-1M	1
6	Ground Screw Spacer, RTU Qty of 25	HW33807	25
7	Ribbon Take Up Motor Assembly	G44043M	1
8	Ground Chain Assembly 1-3/8 Inch , Qty of 10	HW44481	10
9	Screw HI-LO Short Plastic Cutting or Self Threading, Qty of 50	HW44114	50
10	Screw M4 x 0.7 x 12, Qty of 25	HW10432	25
11	Hex Stand Off Qty of 10	HW44339	10
12	Bevel Gear Ribbon Take Up	44046-2	1
13	Set Screw Nylon Patch M3 x .5 x 6, Qty of 25	HW44100	25
14	Washer, Ribbon Take Up Qty of 25	HW45936	25
15	Shaft Collar Ribbon Take Up .377 x .750	44118	1

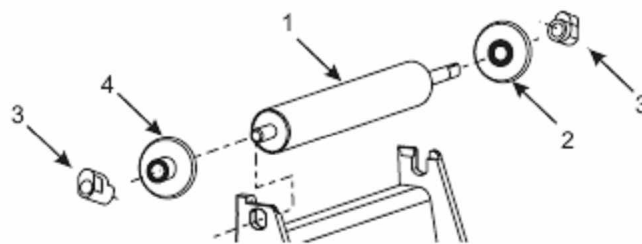
S600 Parts Catalog

Printhead Components



Item Number	Description	Part Number	Kit Quantity
1	Printhead Replacement S600 (203 dpi)	G44998-1M	1
2	Printhead Data Cable S600	37938	1
3	Kit Printhead Toggle Assembly	44329-400M	1

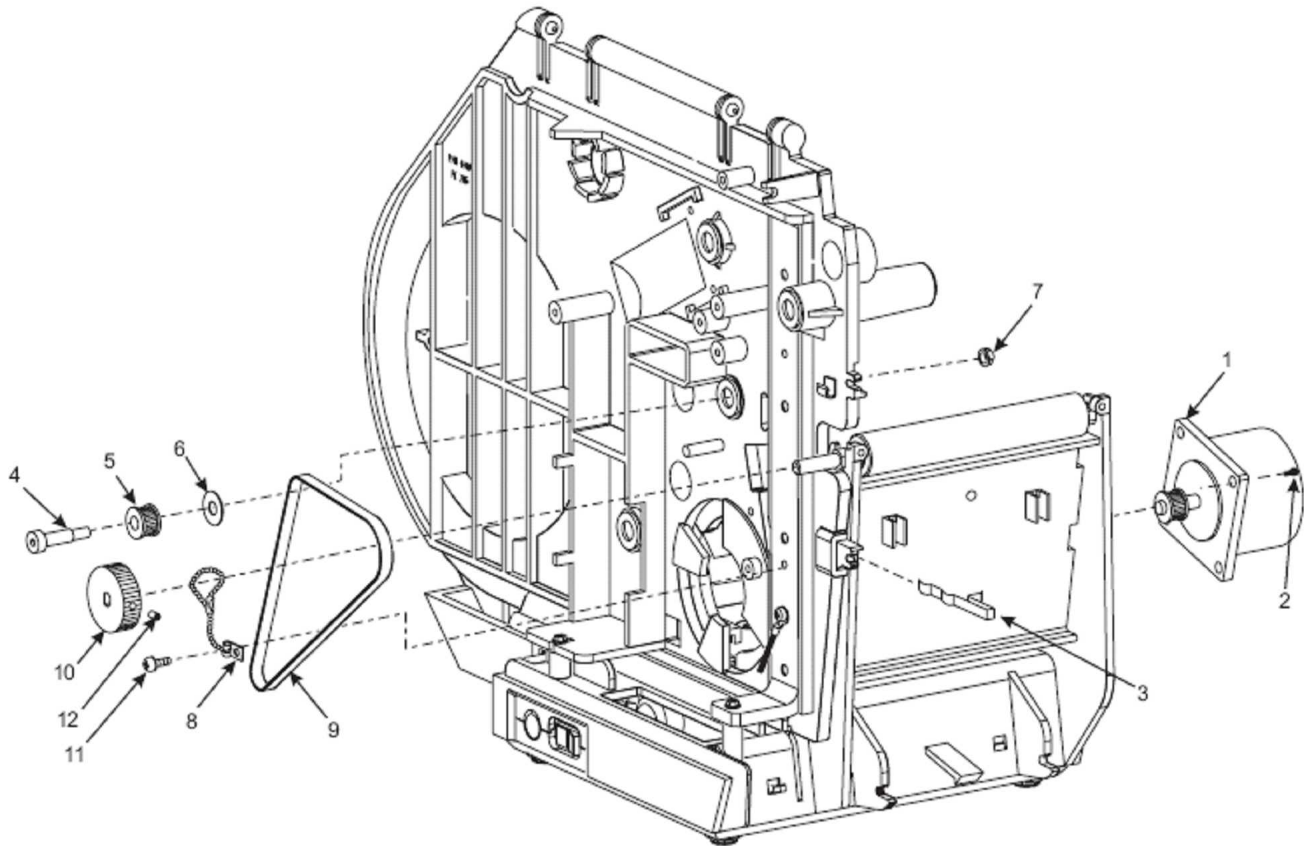
Platen Roller



Item Number	Description	Part Number	Kit Quantity
1	Roller Platen S600	45984	1
2	Platen Roller Inboard Guide	44121	1
3	Platen Roller Bearing	44015	1
4	Platen Roller Outboard Guide	44120	1

S600 Parts Catalog

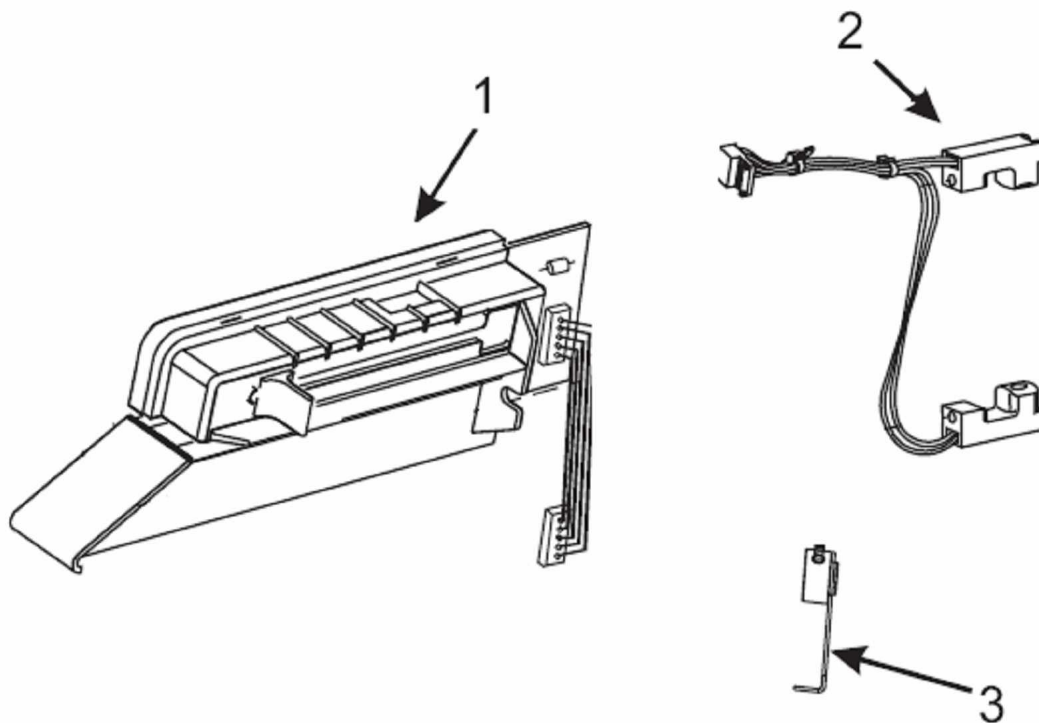
Drive System Components - Tear & Cutter Options



Item Number	Description	Part Number	Kit Quantity
1	Stepper Motor S600 Peel Option 8 DOT (203 dpi)	G44023-2M	1
1	Stepper Motor S600 Tear-Off and Cutter Option 8 DOT (203 dpi)	G44023-0M	1
2	Sc M4.2 x 1.41 x 13 Hilo, Qty of 25	HW45939	25
3	Tear-Plate Ground Strap	44177	1
4	Idler Shaft	44019	1
5	Idler Pulley 20T	44025	1
6	Ground Screw Spacer, RTU Qty of 25	HW33807	25
7	Nut Hex M5 X .8 X 2.6, Qty of 25	HW44055	25
8	Ground Chain 1-1/8 Inch, Qty of 10	HW44172-2	10
9	Main Drive Belt Tear-Off and Cutter Option	45189-6	1
10	Platen Pulley S600	44022	1
11	Sc M3 X 8 DIN7500C PHTF, Qty of 25	HW78807	25
12	Set Screw Nylon Patch M3 x .5 x 6, Qty of 25	HW44100	25
Not Shown	Main Drive Belt Peel Option	45189-5	1
Not Shown	Drive Belt for Liner Take Up Spindle	45189-7	1

S600 Parts Catalog

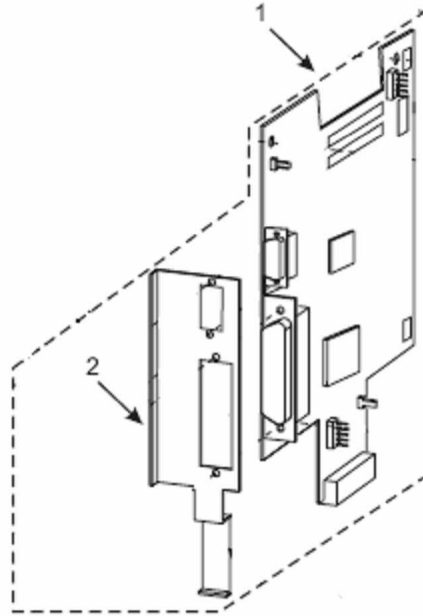
Sensors



Item Number	Description	Part Number	Kit Quantity
1	Kit Black Mark Media Sensor	G44911M	1
1	Kit Media Sensor Standard	G44135-400M	1
2	Take Label Sensor Peel Option	G44536-400M	1
3	Kit Head Open Sensor Flag	45925M	1
	Ribbon Out Reflector Bracket	44968	1

S600 Parts Catalog

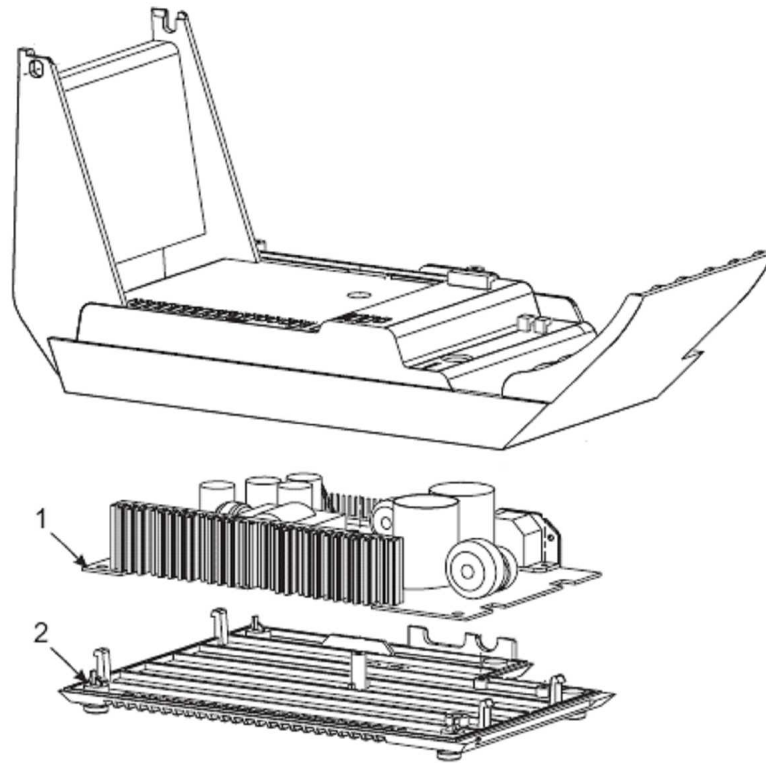
Electronics



Item Number	Description	Part Number	Kit Quantity
1	Kit Main Logic Board (includes ground bezel) S600	45763-001M	1
2	Ground Bezel	45960	1
	Kit 8MB Flash RTC	44815M	1
	4MB Flash Memory Upgrade	44867	1

S600 Parts Catalog

Power Supply

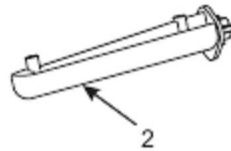
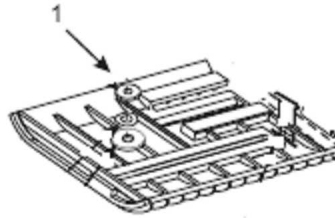


Item Number	Description	Part Number	Kit Quantity
1	Kit PFC Power Supply	G45770M	1
2	Kit Base Cover	G44004-400M	1
	Europe Power Cord	44629	1
	UK Power Cord	44637	1
	US Power Cord 79in Detachable	46693	1



S600 Parts Catalog

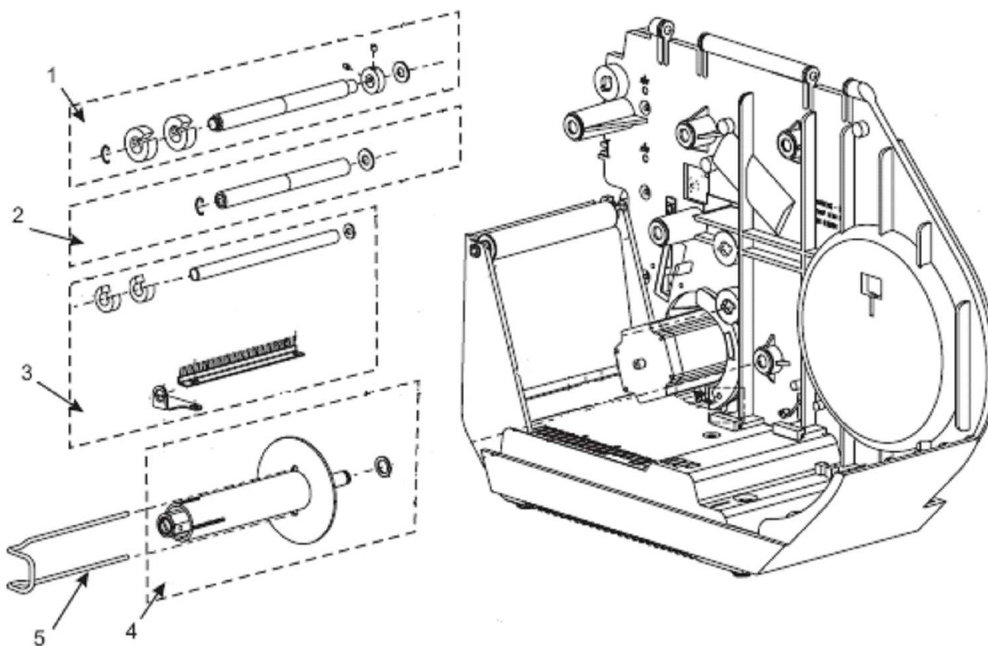
Media Guides



Item Number	Description	Part Number	Kit Quantity
1	Kit Upper Media Guide Plate Peel-Off Option	G44140-402M	1
1	Kit Upper Media Guide Plate Tear and Cutter Option	G44140-400M	1
2	Media Guide	44011	1

S600 Parts Catalog

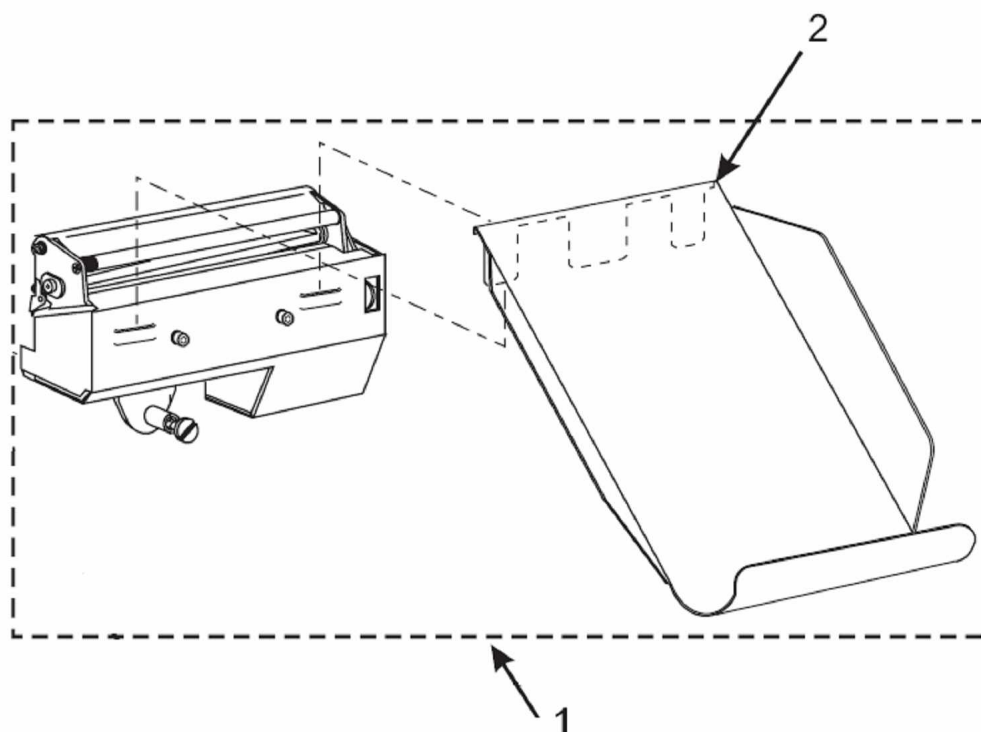
Media Take-Up



Item Number	Description	Part Number	Kit Quantity
1	Kit Platen Guide Rod	G44463M	1
2	Kit Upper Media Guide Rod	G44349M	1
3	Kit Lower Media Guide Rod	G44398M	1
4	Kit Media Take-Up Spindle	G44284M	1
5	Rewind Hook, Peel Option	44218	1

S600 Parts Catalog

Cutter Maintenance



Item Number	Description	Part Number	Kit Quantity
1	Kit Cutter Maintenance (included catch tray)	G44710-600M	1
2	Cutter Catch Tray	44986	1

Ribbon Related

Item Number	Description	Part Number	Kit Quantity
	Kit Upper Ribbon Guide w/Brush	G44190-400M	1
	Ribbon Strip Plate	44018	1
	Ribbon Anti-Static Brush	44189	1
	Ground Cable for Anti-Static Brush	37828	1
	Kit Lower Ribbon Guide	G44397M	1

Power Roller

Item Number	Description	Part Number	Kit Quantity
	Power Roller	45983	1
	Eccentric for Power Roller	44292	1

Peel Related

Item Number	Description	Part Number	Kit Quantity
	Peel Tear-Off Plate	45962	1
	Peel Lower Edge Guide	44346	1
	Peel Anti-Static Brush	44391	1
	Kit Switch Full Roll, Peel Option	G44665M	1



S600 Parts Catalog

Packing Materials for Printer Shipping

Item Number	Description	Part Number	Kit Quantity
	S600 Packing Material	44311PM	1
	S600 Packing Material, Bulk Qty of 10	G44311PBM	10

Tension Adjustment Tools

Item Number	Description	Part Number	Kit Quantity
	Spring Scale Tension Tester 0 - 1000 Grams for Spindle Adjustment	11302	1
	Spring Scale Tension Tester 0 - 2.25 Kg for Belt Tension Adjustment	11303	1

Hardware

Item Number	Description	Part Number	Kit Quantity
	Nut Hex M5 1 5	44055	1
	Washer Flat, Qty of 25	HW78801	25
	Screw M3 x .5 x 4, Qty of 50	HW78803	50
	Washer Lock Extrnl 6 Bag 100	HW45946	100
	Screw M3 x .5 x 6, Qty of 50	HW78804	50
	Wash .26 .63 .06 Zn, Qty of 25	HW45935	25
	Chain Ground 5.06, Qty of 25	HW44191	25
	Screw M3.5 x 20, Qty of 10	HW44054	10
	Set Screw Nylon Patch M3 x .5 x 6, Qty of 25	HW44100	25
	Sc M4 10 Ov PH ZN, Qty of 10	HW45937	10
	Ribbon Guide Screw, Qty of 25	HW45943	25
	Screw M3 x .6 x 10 , Qty of 10	HW44053	10
	Standoff 4-40 (Qty = 25)	HW32406	25
	Washer Lock #4, Qty of 100	HW45945	100
	Screw M3 x .6 x 10 , Qty of 10	HW44053	10
	Ground Chain 1-3/4 Inch, Qty of 25	HW44278	25
	Adhesive Cable Clip, Qty of 25	HW44176	25
	Spring Washer	44360	1
	Ground Chain	44191	1
	Ground Chain Assembly 1-3/8 Inch	44481	1
	Ground Cable	37829	1